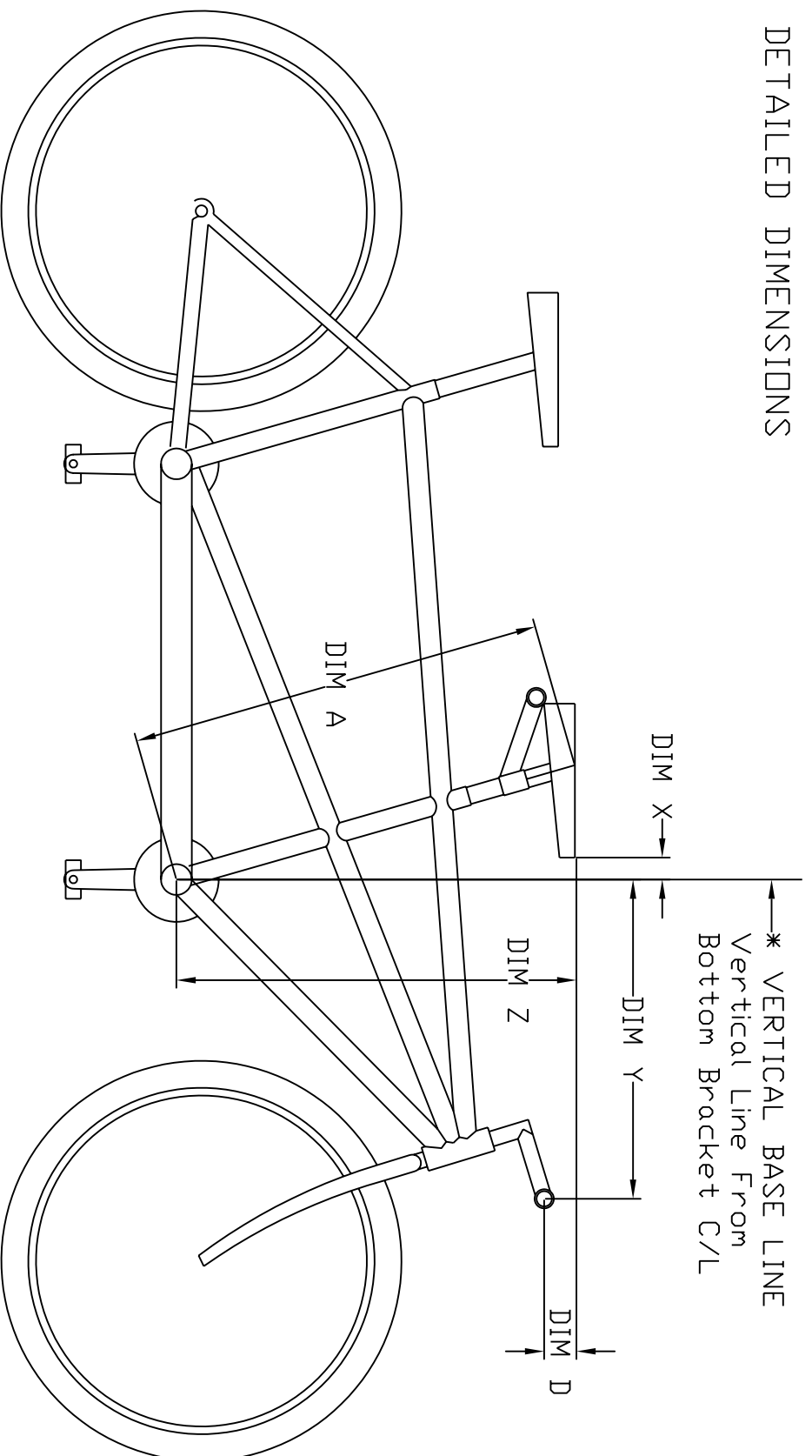


DETAILED DIMENSIONS



* VERTICAL BASE LINE - USE A PLUMB BOB OR QUALITY LEVEL FOR THE VERTICAL LINE FROM THE BOTTOM BRACKET

DIM X: From Vertical Base Line back to the tip of the saddle.

DIM Y: From Vertical Base Line to the handlebar clamp on the stem.

DIM Z: Height of the saddle measured vertically. Top of saddle to BB C/L.

DIM A: Height of the saddle measured along the seat tube.

DIM D: Handlebar drop (or rise). Use a level placed on the saddle and measure down (or up) to the C/L of the handlebar clamp.